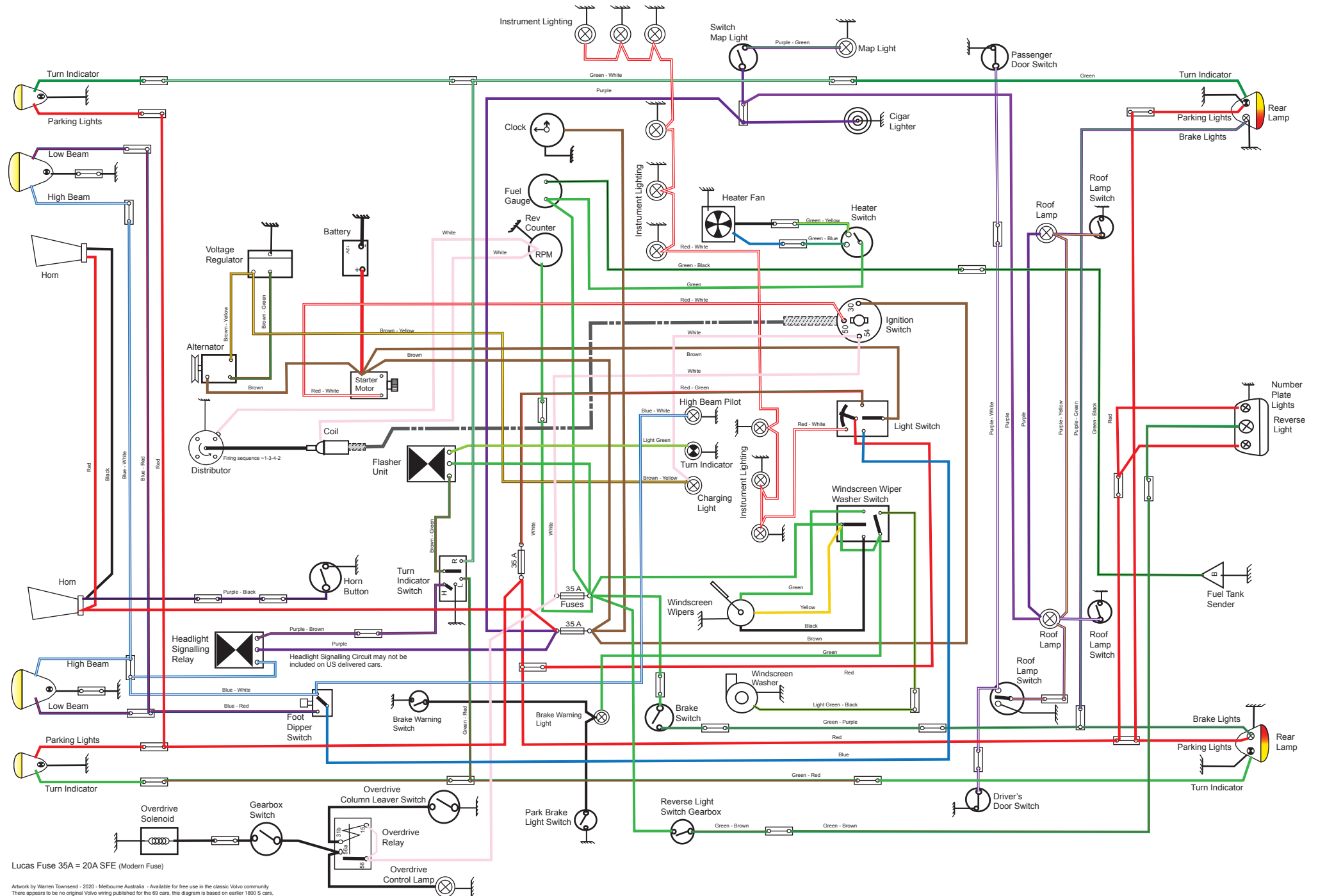


Volvo 1800S 1969 Wiring Diagram - (Chassis # 28301 to 29993)



Lucas Fuse 35A = 20A SFE (Modern Fuse)

Artwork by Warren Townsend - 2020 - Melbourne Australia - Available for free use in the classic Volvo community. There appears to be no original Volvo wiring published for the 69 cars, this diagram is based on earlier 1800 S cars, with additional information from George Mnasian and others in the Volvo Community.

I have attempted to make these Wiring Diagrams as accurate as possible, however no responsibility is accepted for any consequential errors from their use.

*** In some instances Volvo made mid run production changes, please also reference previous, or subsequent year's schematic. ***